

# REYA

MERRYFAIR®

Seating Products





## Sports gear ergonomics for max performance



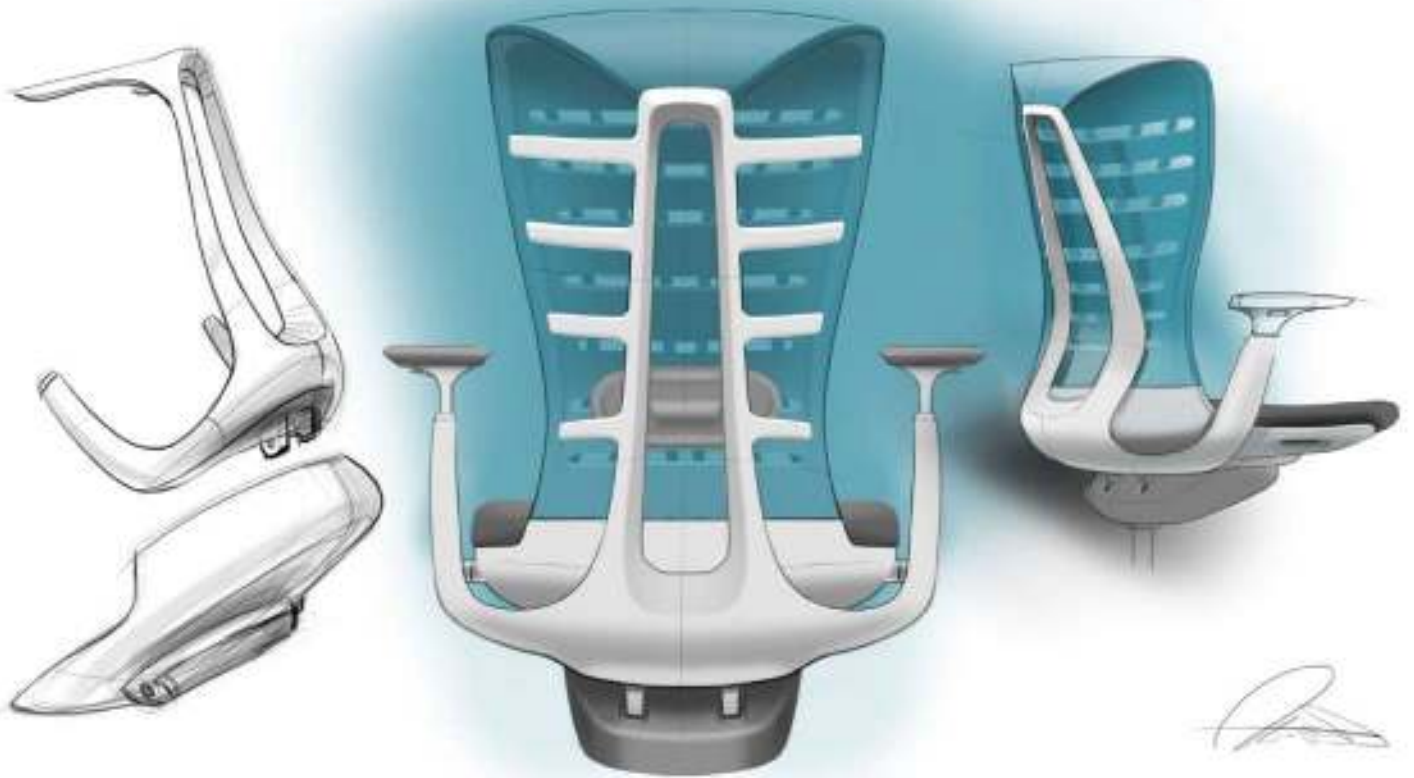
It is almost universal knowledge that sports equipment are designed with ergonomics in mind and to let you perform to your maximum potential. With an awesome design to make you look like you are on top of the game.

We set out in this direction to make a chair that lets you extract maximum performance through improved ergonomics.

We designed and developed new construction techniques borrowed from sportswear. Using hard stiff structures to transfer forces where required, blending with soft flexible materials where it meets our body for comfort. We used a new stitching method to attach upholstery fabric to the back so that it remains thin and flexible at the edges where shoulders will lean into.

All the while looking attractive like the latest pair of high tech sneakers.

## Design & Development



We set several clear objectives for this new chair.

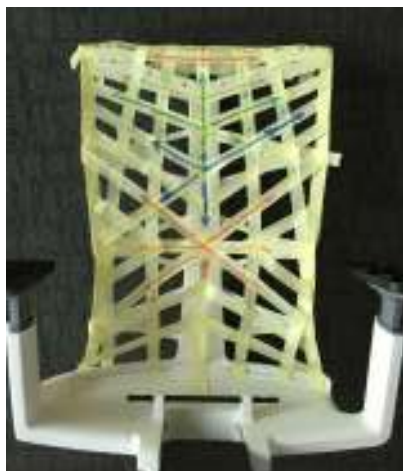
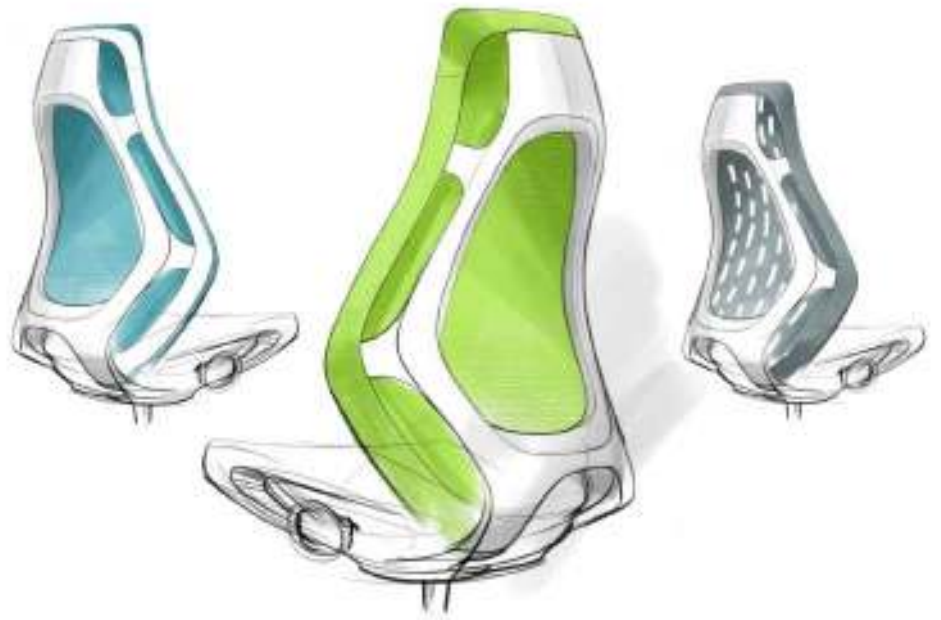
A **soft flexible backrest all around** without any hard edges to restrict you in the way of dynamic seating. We looked at different ways to make a back structure that flexes and twists with posture changes, yet holds the back webbing in tension.

We also evaluated the tension force directions encountered in the webbing design, to create a **back design with different support zones and soft zones** to suit different areas of the back.

We also aimed to create a seat that overcomes the limitations of traditional foam cushion and mesh support systems, namely poor ventilation and uneven sitting pressures.

We had fun spending endless hours brain storming, making prototypes, testing, facing criticism and back to the drawing board for better redesigns.

Think  
Sketch  
Make  
Test  
Repeat  
Improve





## Unbounded movement with an ingenious rim-less back design. Don't let your chair box you in.

To achieve a rim-less backrest design such that you won't feel any hard side edges, the back design utilises ribs that act like battens on a sail to keep back webbing tensioned yet flexible.

This chair moves and bends with you, thanks to its frameless design.

The back webbing pattern not only looks arresting, but is engineered to give different levels of support at different areas of the torso.

It is wider and directly tensioned by an X shape at the lumbar region to maintain good posture, while being thinner and more elastic near the shoulders to give unrestricted movement.

3D mesh is directly stitched on to webbing, instead of using other fastening methods to avoid losing edge flexibility.









## Independent coil springs offer a superior sitting experience.

An array of 62 coil springs respond precisely and quickly to every shape, weight and movement. Independent springs conform more accurately to body than conventional foam and mesh surfaces which simply stretch to an uniform tension like a hammock. The result is a more proportional pressure distribution for healthy circulation and comfort.

Using springs in conjunction with a webbed elastomer surface also provide ventilation benefits for exceptional thermal comfort.





### Options

- Frame in black or white.
- With or without Sandwich mesh upholstery.
- Bare elastomer surfaces in black or grey.
- Base in black or grey.

### Safety & Durability

Reya is designed and certified to BIFMA X5.1 and EN-1335 standards for safety and durability. Longer lasting = less refuse.

### Recyclability

Reya is manufactured using up to 38% pre-consumer and 12% post-consumer material. At the end of life, up to 81% of Reya can be recycled.

### Armrest

Soft touch armrests are molded from polyurethane foam in black. Supports are molded using fiber-filled polypropylene (100% recyclable) in grey colour, with internal parts of polyacetal (100% recyclable). Adjustable for 10cm height and 7cm width.

### Seat

The fiber-filled polypropylene (100% recyclable) outer frame is available in black or white colour options. Soft seat webbing of 100% recyclable thermoplastic elastomer (TPE) in black or grey colour with an inner array of helix springs in polyacetal (100% recyclable). Adjustable for 12cm height and 6cm depth.

### Chair Mechanism

Featuring 10-position tilt locking and tilt tension by handcrank placed conveniently at seat side. Main structure of diecast 100% recyclable aluminium alloy, finished in black epoxy coating. Molded black polyamide (nylon) levers and internal steel hardware are 100% recyclable.



### Backrest

Variable width webbing of flexible 100% recyclable thermoplastic elastomer (TPE) in black or grey colour. For upholstered backs, polyester sandwich mesh (100% recyclable) is stitched on to non-optional grey colour shell.

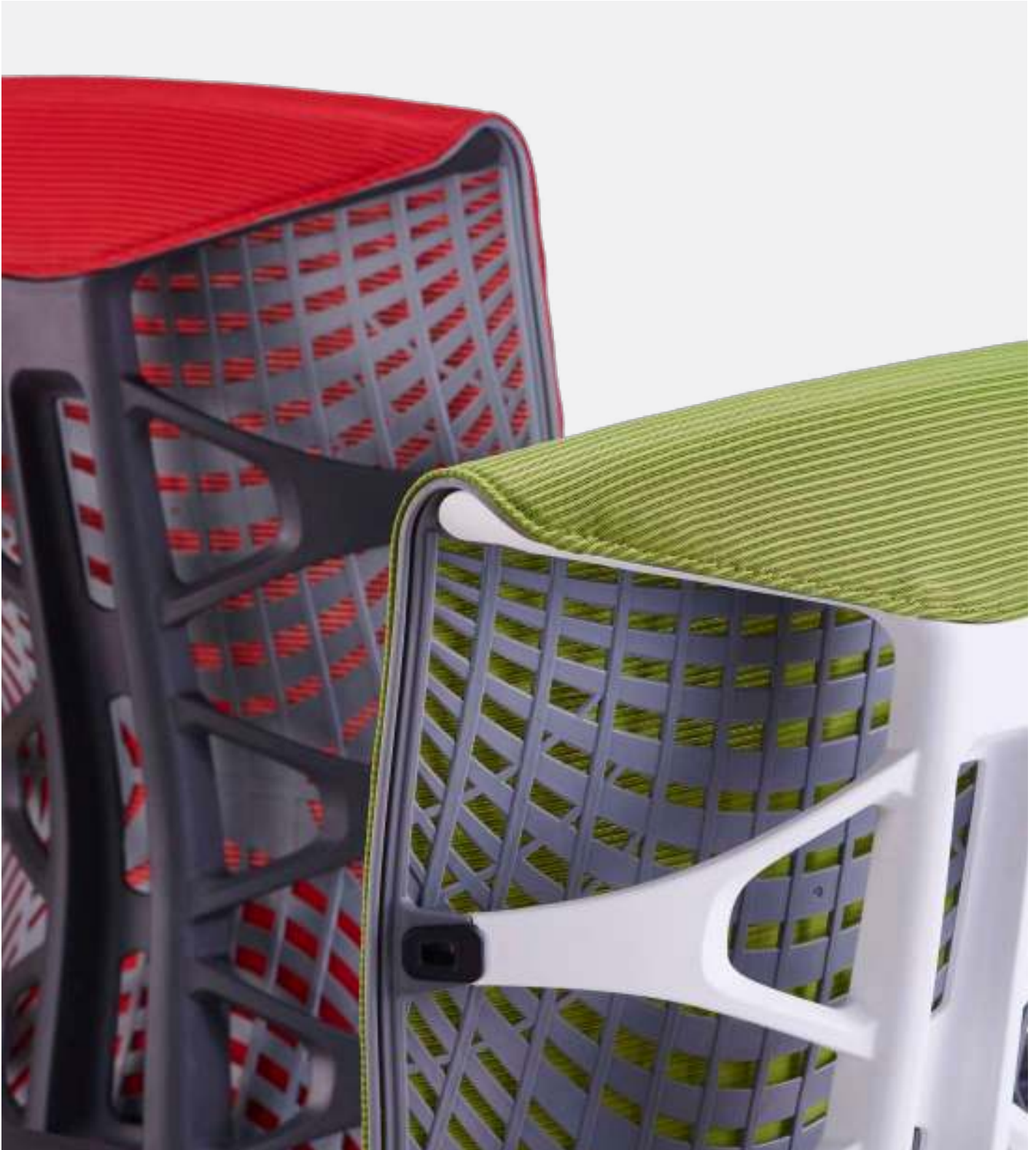
### Back Frame

Robust fiber-filled polypropylene (100% recyclable) frame in black or white colour options, with clips in black colour.

### Base

Five-prong base of diecast aluminum alloy (100% recyclable) in black or grey epoxy powdercoating. 65mm dual-wheel castors of molded polyamide (nylon).

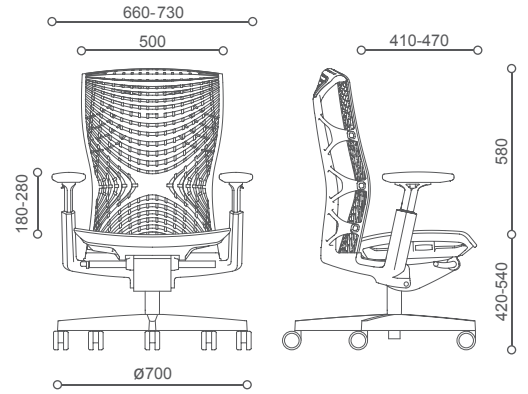
3D sandwich mesh is stitched directly on to the elastomer webbing, instead of using other fastening methods to avoid losing edge flexibility.



TPE Seat and Back  
White Frame  
1222P MAA79 NG



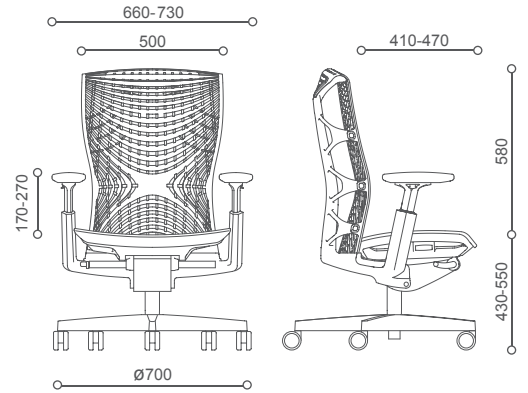
Black Frame  
1222B MAA79 NG



Padded Seat, TPE Back  
White Frame  
1225P MAA79 NG



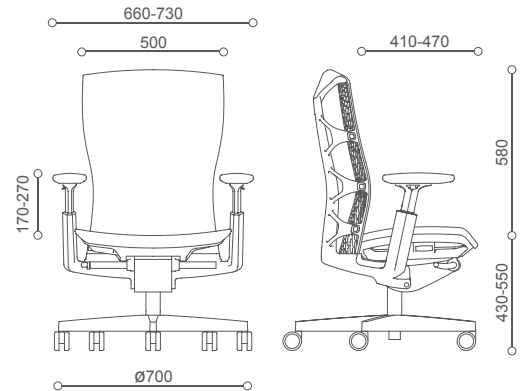
Black Frame  
1225B MAA79 NB



Padded Seat and Back  
White Frame  
1228P MAA79 NG



Black Frame  
1228B MAA79 NB



Synchronized Mechanism



Height Adjustable Armrest



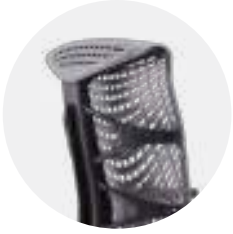
Width Adjustable Armrest  
1-way adjustable armrest



Depth Adjustable Sliding Seat

## Reya: Options

### Frame Colour

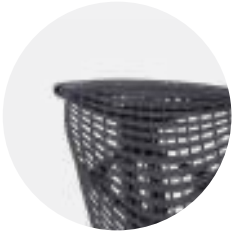


Black



White

### Back Surface



Bare Black TPE



Bare Grey TPE



With Sandwich Mesh  
(Grey TPE Backside)

### Seat Surface



Bare Black TPE



Bare Grey TPE



With Sandwich Mesh

### Base



Aluminium Base  
Grey Powder Coat  
(NG)



Aluminium Base  
Black Powder Coat  
(NB)

## HEAD OFFICE & FACTORY

**Merryfair Chair System Sdn Bhd**  
(Co. No. 86276-A)  
No.2, Jalan Koporat 1/KU9,  
Taman Perindustrian Meru,  
42200 Klang, Selangor D.E., Malaysia.

**International Sales & Marketing**  
Tel. +603 3393 2888  
Fax. +603 3393 2000  
enquiry@merryfair.com

**Domestic Sales & Marketing**  
Tel. +603 3393 6868  
Fax. +603 3393 6888  
domestic@merryfair.com

## SHOWROOM OFFICE

**Merryfair Marketing Sdn Bhd**  
(Co. No. 665054-V)  
No. 82-84, Jalan 2/23A,  
Jalan Genting Kelang,  
53300 Kuala Lumpur, Malaysia.  
Tel. +603 4149 8899  
Fax. +603 4143 0113

## REGIONAL OFFICE & SHOWROOM

**美力菲 (中国) 家具有限公司**  
广东省佛山市顺德区容桂华口顺德高新区(容桂)华天路21号  
邮编: 528306  
Merryfair (China) Co.,Ltd  
No. 21, Huatian Road, Shunde High Tech Industrial Zone  
(Ronggui), Huakou Community, Ronggui Subdistrict,  
Shunde District, Foshan City, Guangdong, China 528306.  
Tel. +86 757 2636 9861  
Fax. +86 757 2881 9700  
domestic@merryfair.com.cn

**Merryfair (Singapore) Pte Ltd**  
33 Ubi Avenue 3, #01-52/53 Vertex,  
Singapore 408868.  
Tel. +65 6284 9098  
Fax. +65 6284 9028  
enquiry@merryfair.com.sg

**Merryfair (Thailand) Co.,Ltd**  
Thai Samut Building  
Ground Floor, 163 Surawongse Road,  
Bangrak, Bangkok 10500 Thailand.  
Tel. +66 2266 3855  
Fax. +66 2266 3859  
sales@merryfair.co.th

[www.merryfair.com](http://www.merryfair.com)

