

# WAU

MERRYFAIR®

Seating Products



### **Sports Design Concept**

Wau combines excellent ergonomics to extract human performance and trendy styling to elicit self confidence and satisfaction as you perform.



**Recline-Glide Motion**

The back and seat pivot axis is placed close to the human's hip socket joint (acetabulum), such that there is no relative movement between the backrest and torso, giving a natural and constant-fit support through the recline range.

**Button-less**

The backrest, armrest and headrest do not employ buttons or levers, to make adjustments quick and intuitive.



Wau was named after the large traditional Malaysia kite because the curves and shape of the back structure resembles that of the kite's.

### Headrest: Adjustable for Height

White or black outer shell and grey inner shell of molded polypropylene (100% recyclable).

### Fabric/Leather surface

Upholstered over polyurethane foam (recyclable into carpet padding, wadding etc)

### Mesh surface

76% elastomer / 24% polyester high tensile mesh.

### Elastomer surfaces

colored SEBS-type thermoplastic elastomer (TPE) overmolding (100% recyclable with PP into flexible, impact-resistant PP product).

### Seat: Adjustable for Height

White or black outer shell and grey inner shell of injection-molded polypropylene (100% recyclable).

### Base

Five-prong base of diecast aluminum alloy (100% recyclable) in epoxy powder-coating or polished finish. 60mm dual-wheel castors of molded polyamide (nylon).



### Backrest: Adjustable for height and lumbar depth.

White or black outer shell, grey inner shell, lumbar knob and caps of polypropylene (100% recyclable). Back frame in white/black fiber-reinforced polypropylene (100% recyclable).

### Armrest: Adjustable for height and swivel angle

For Model 608/609 with G62/M62 armrest  
Armpad of TPE in grey or orange colour, moulded over a PP shell.

For Model 708/709 with G65 armrest  
Armpad of integral PU foam in standard grey colour, moulded over a PP shell.

Armrest upright parts in fiber reinforced polypropylene(100% recyclable) for both type of armrest.

### Mechanism: Adjustable Tilt tension and Tilt Lock control

Main structure and backbone of diecast aluminium alloy 100% recyclable. Covers in grey molded polypropylene (100% recyclable). Levers and knob of molded polyamide (nylon). Internal hardware of steel.

## Mesh Surface



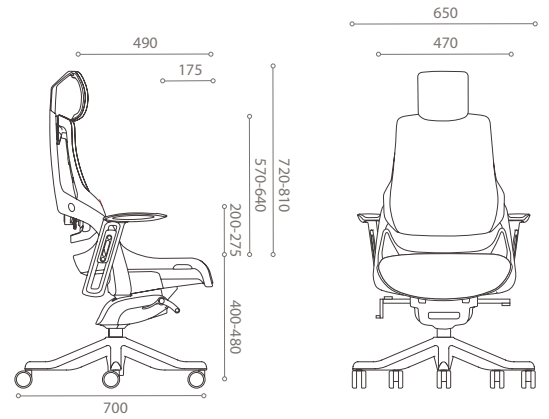
White 608W MB A00 VG  
Black 608B MB A00 VB



White 608W MB G62 VG  
Black 608B MB G62 VB



White 609W MB G62 VG  
Black 609B MB G62 VB



## Fabric/ Leather Surface



White 608W MB A00 VG  
Black 608B MB A00 VB



White 608W MB G62 VG  
Black 608B MB G62 VB



White 609W MB G62 VG  
Black 609B MB G62 VB

## Elastomer Surface



White 608W MB A00 VG  
Black 608B MB A00 VB



White 608W MB M62 VG  
Black 608B MB G62 VB



White 609W MB M62 VG  
Black 609B MB G62 VB

### Mesh Surface



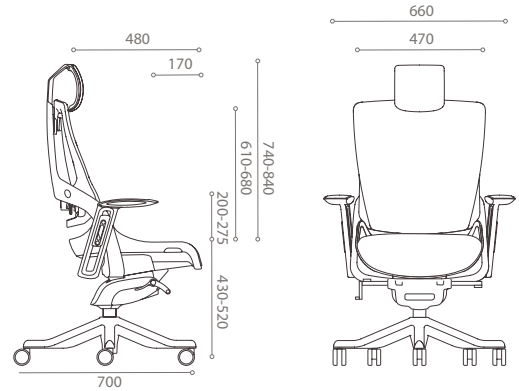
White 708W MB A00 VG  
Black 708B MB A00 VB



White 708W MB G65 VG  
Black 708B MB G65 VB



White 709W MB G65 VG  
Black 709B MB G65 VB



### Fabric/ Leather Surface



White 708W MB A00 VG  
Black 708B MB A00 VB



White 708W MB G65 VG  
Black 708B MB G65 VB



White 709W MB G65 VG  
Black 709B MB G65 VB

### Elastomer Surface



White 708W MB A00 VG  
Black 708B MB A00 VB



White 708W MB G65 VG  
Black 708B MB G65 VB



White 709W MB G65 VG  
Black 709B MB G65 VB

## Wau: Options

### 2 standard color-ways



Black  
(B)



White  
(W)

---

### 2 standard color for elastomer surface



Mango  
(M)



Grey  
(G)

---

### Base Options



Polished Aluminium  
(VP)



Black Epoxy Aluminium  
(VB)



Silver Epoxy Aluminium  
(VG)









## HEAD OFFICE & FACTORY

**Merryfair Chair System Sdn Bhd**  
(Co. No. 86276-A)  
No.2, Jalan Koporat 1/KU9,  
Taman Perindustrian Meru,  
42200 Klang, Selangor D.E., Malaysia.

**International Sales & Marketing**  
Tel. +603 3393 2888  
Fax. +603 3393 2000  
enquiry@merryfair.com

**Domestic Sales & Marketing**  
Tel. +603 3393 6868  
Fax. +603 3393 6888  
domestic@merryfair.com

## SHOWROOM OFFICE

**Merryfair Marketing Sdn Bhd**  
(Co. No. 665054-V)  
No. 82-84, Jalan 2/23A,  
Jalan Genting Kelang,  
53300 Kuala Lumpur, Malaysia.  
Tel. +603 4149 8899  
Fax. +603 4143 0113

## REGIONAL OFFICE & SHOWROOM

**美力菲 (中国) 家具有限公司**  
广东省佛山市顺德区容桂华口顺德高新区(容桂)华天路21号  
邮编: 528306  
Merryfair (China) Co.,Ltd  
No. 21, Huatian Road, Shunde High Tech Industrial Zone  
(Ronggui), Huakou Community, Ronggui Subdistrict,  
Shunde District, Foshan City, Guangdong, China 528306.  
Tel. +86 757 2636 9861  
Fax. +86 757 2881 9700  
domestic@merryfair.com.cn

**Merryfair (Singapore) Pte Ltd**  
33 Ubi Avenue 3, #01-52/53 Vertex,  
Singapore 408868.  
Tel. +65 6284 9098  
Fax. +65 6284 9028  
enquiry@merryfair.com.sg

**Merryfair (Thailand) Co.,Ltd**  
Thai Samut Building  
Ground Floor, 163 Surawongse Road,  
Bangrak, Bangkok 10500 Thailand.  
Tel. +66 2266 3855  
Fax. +66 2266 3859  
sales@merryfair.co.th

[www.merryfair.com](http://www.merryfair.com)

